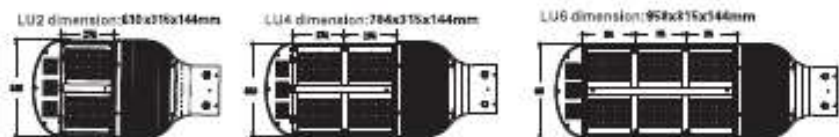


Partial Technical Parameter:

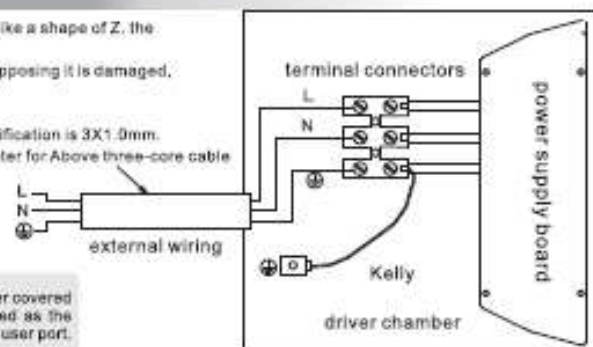
- The LED Streetlight is installed on the Pole, the diameter of Pole connection is 50-65mm.
- When the installation height of LED Streetlight is below 8Meter, the maximum projected area against wind power is :0.12m².
- The Lighting is fixed on the bracket or other support bar with screw or hoop, the torsion on the screw is 30.6Nm.

Lamp external dimension



Wiring sketch

The wiring connection is just like a shape of Z, the external soft wiring cable can not be replaced, supposing it is damaged, the lamp have to be scrapped. Lamp guiding is 60245 OEC57 (YZW), specification is 3X1.0mm. 8-10mm is the external diameter for Above three-core cable



Warning: Columniform rubber covered wire should be used as the external wiring for user part.

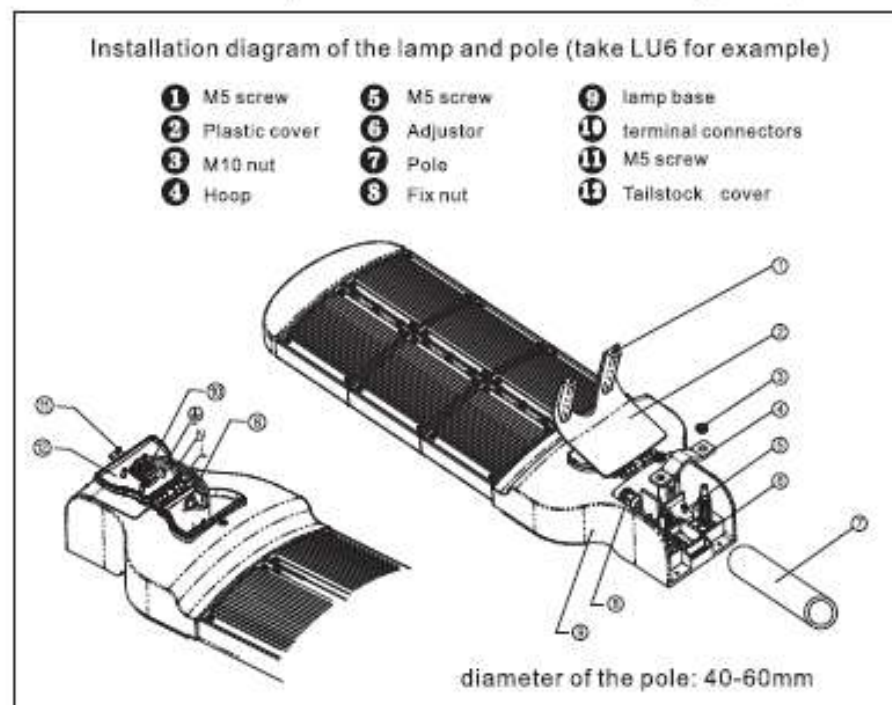
Streetlight and Lamp pole Installation instruction

- Demount the plastic cover (2) and the M5 screw on the top cover of the lamp base (12), then lift up the plastic cover (2)
- loosen the two M10 nuts on the hoop (4) and M5 screws on the angle adjustor (5).
- slide the angle adjustor(6) into a proper place then tighten the screws. (5)
- Make the cable get through the fix nut (8).
- Tighten the M10 nut (3), fix the lamp onto the pole (7), the torque for the screw is 17Nm
- Close the plastic cover(2) and open the top cover 12, take out the cable and peel out 6mm, connect the live, neutral and earth cables to the terminals(9) and fix them.
- Tighten the fix head(8), and the screw (1) & 11.

Warning: The fix head (8) and the the screw 11 must be tighten into the place, or water leakage may be happen leading to the damage of the lamp.

- the adjustor has high and low levels, which is 3 degree different.
- Sliding the adjustor inside is depression, sliding the adjustor outside is elevation.
- The lamp fixture is adjustable in 25 degrees, from -5 (depression angle) to 20. (elevation angle) degree
- The street light module use electric control device housing (tc=70°C).

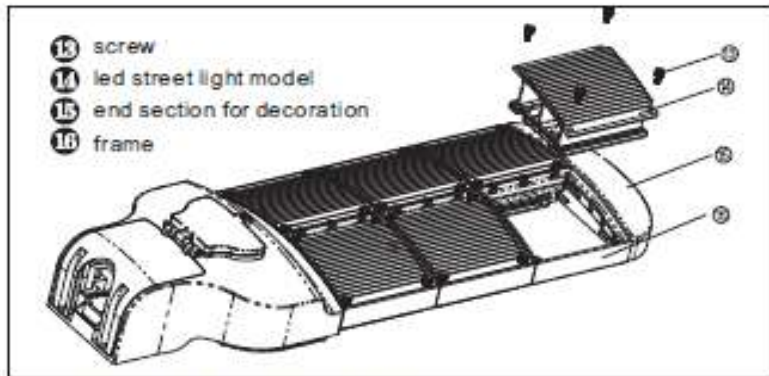
Indication:



The lighting technical parameter

Model:	LU2	LU4	LU6
Input Voltage:	100-240V ~ 50/60Hz		
Power Factor (PF):	0.96		
Rated Power Consumption:	75W	150W	220W
Rated Color Temperature (CCT):	4600K		
Color Rendering Index (CRI):	>65		
Rated Luminous Flux:	5400lm	9000lm	14000lm
Working Temperature:	-30°C ~ 50°C		
Working Humidity:	10% ~ 90%RH		
Working Life :	> 50,000Hrs.		
Net Weight:	8.5KG	11KG	13.7KG
IP Rating:	IP65		
Suggested Installed Height:	≤ 8m		

assembly & disassembly for the street light module (take LU6 for example)



demounting of the street light module:

1. dismantle the four screws(13) fixed on the heat sink.
2. pick up the led street light model (14) lightly, then lean it outside to the position.
3. overturn the led model (14) and take it out.
4. loosen and unplug the connector of patch wiring and remove the model.

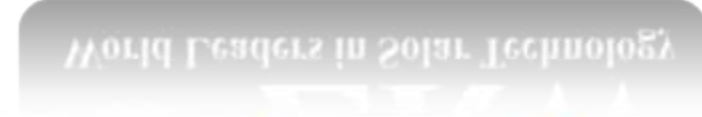

mounting of the street light module:

1. put the led model (14) into the frame properly, plug in the cable and screw into the place.
2. put the rim of the model into the place, then put the whole model.
3. no cable drop of the module at the bottom of the framework, which will cause deformation on the decorative sheet.
4. fix the module with the screws.

Packing List

- | | |
|-------------------------|-----|
| 1. LED Streetlight..... | 1pc |
| 2. Warranty card | 1pc |
| 3. Qualification..... | 1pc |
| 4. Manual..... | 1pc |

Inventive patent No: ZL 200510037514.5
ZL 200710073278.1



LU SERIES LED STREETLIGHT MANUAL

Instruction Manual

(LU2/LU4/LU6 applicable)



Contact: +27 82 415 8548 • E-mail: enquiries@zrwmechanika.co.za
www.zrwmechanika.co.za